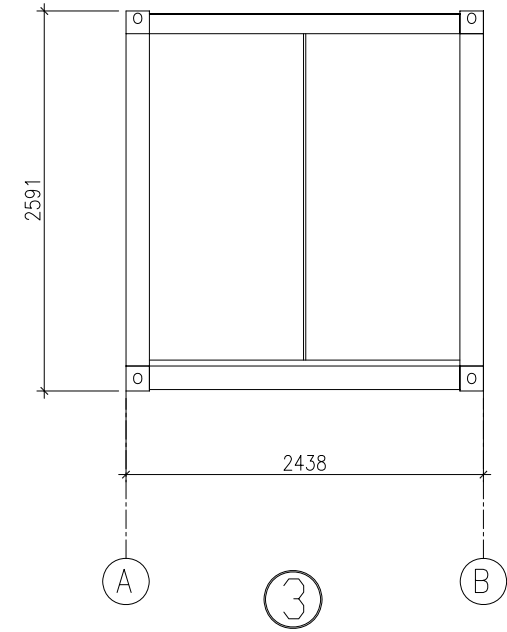


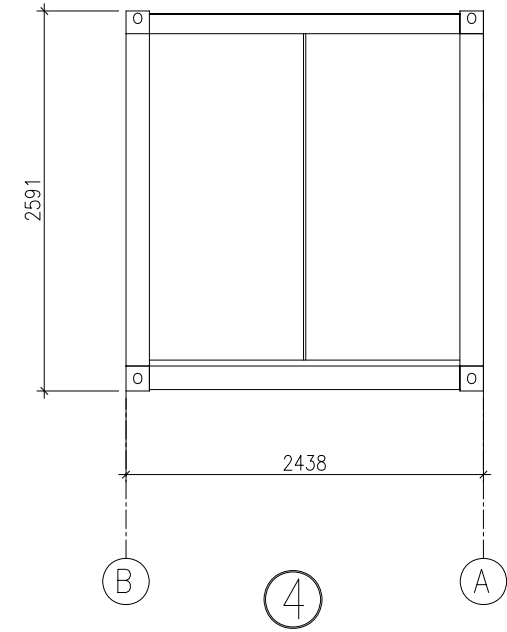
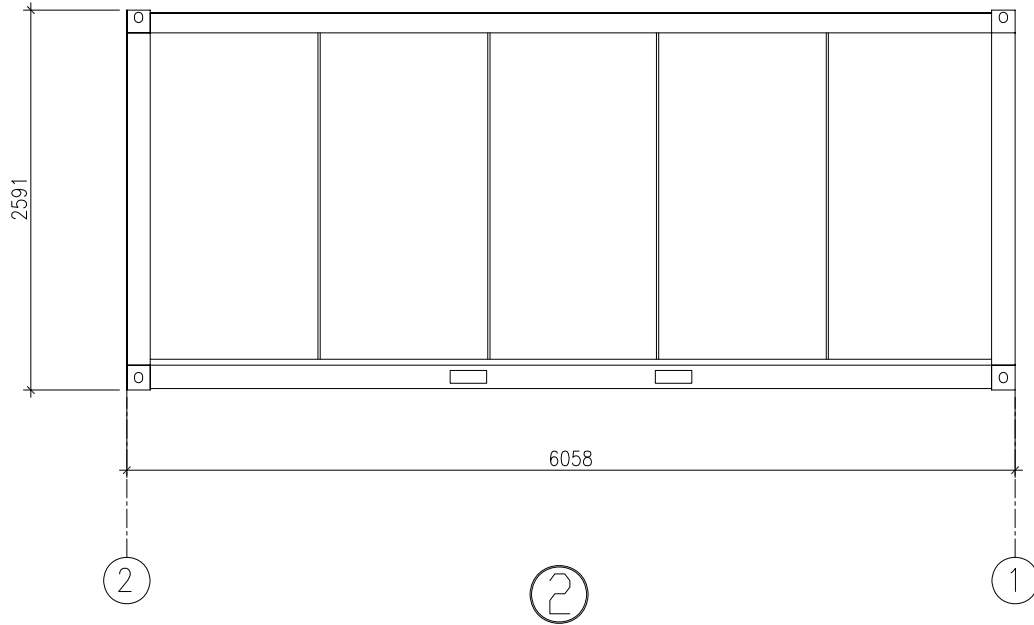
Layout for Ground floor plan

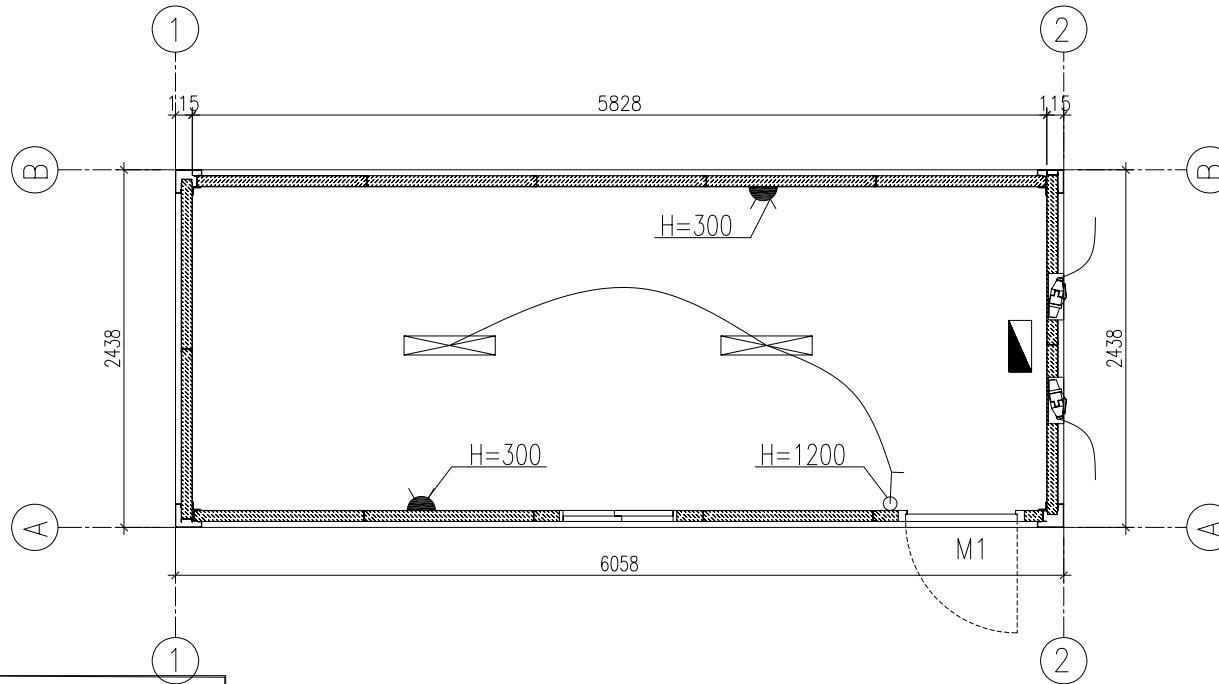
M1 Steel security door: W740mm*H1950mm

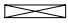




C1 PVC Sliding window+Security shutter: W800mm*H1100mm

Outside wall:75mm thickness EPS sandwich panel,'double two sides' are:0.42mm colored steel sheet, EPS density:12kg/m³







Logo	Description	Specification
	Daylight Lamp	220V,40W
	Switch	Standard
	Socket	10A, with 2&3 holes,
	Distribution box	Standard
	Outside connection socket	Standard

Layout plan for switch and socket

